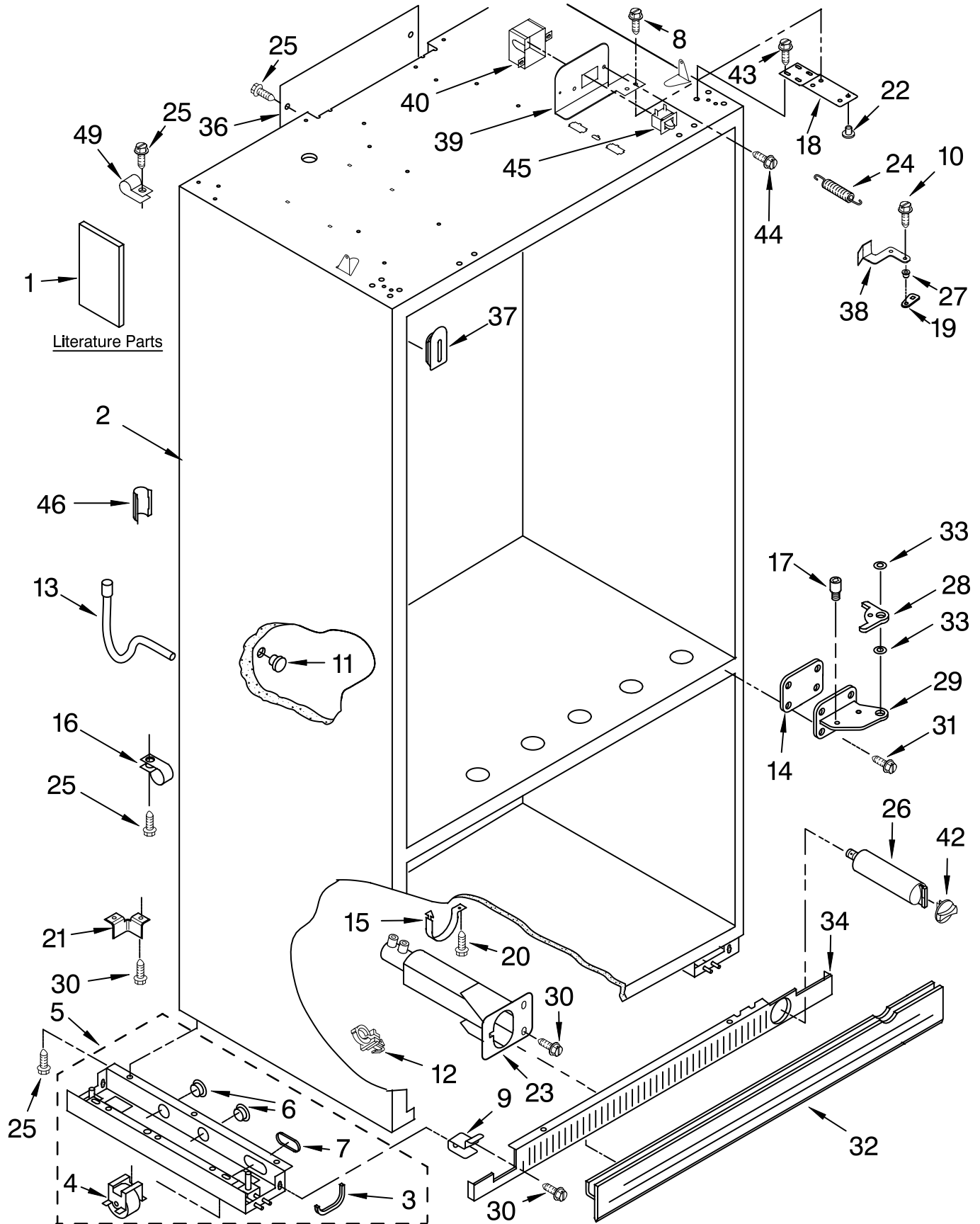


CABINET PARTS

For Model: KBLO36FMX01
(Etched Aluminum)

36" BOTTOM MOUNT
BUILT IN REFRIGERATOR



FOR ORDERING INFORMATION REFER TO PARTS PRICE LIST

CABINET PARTS

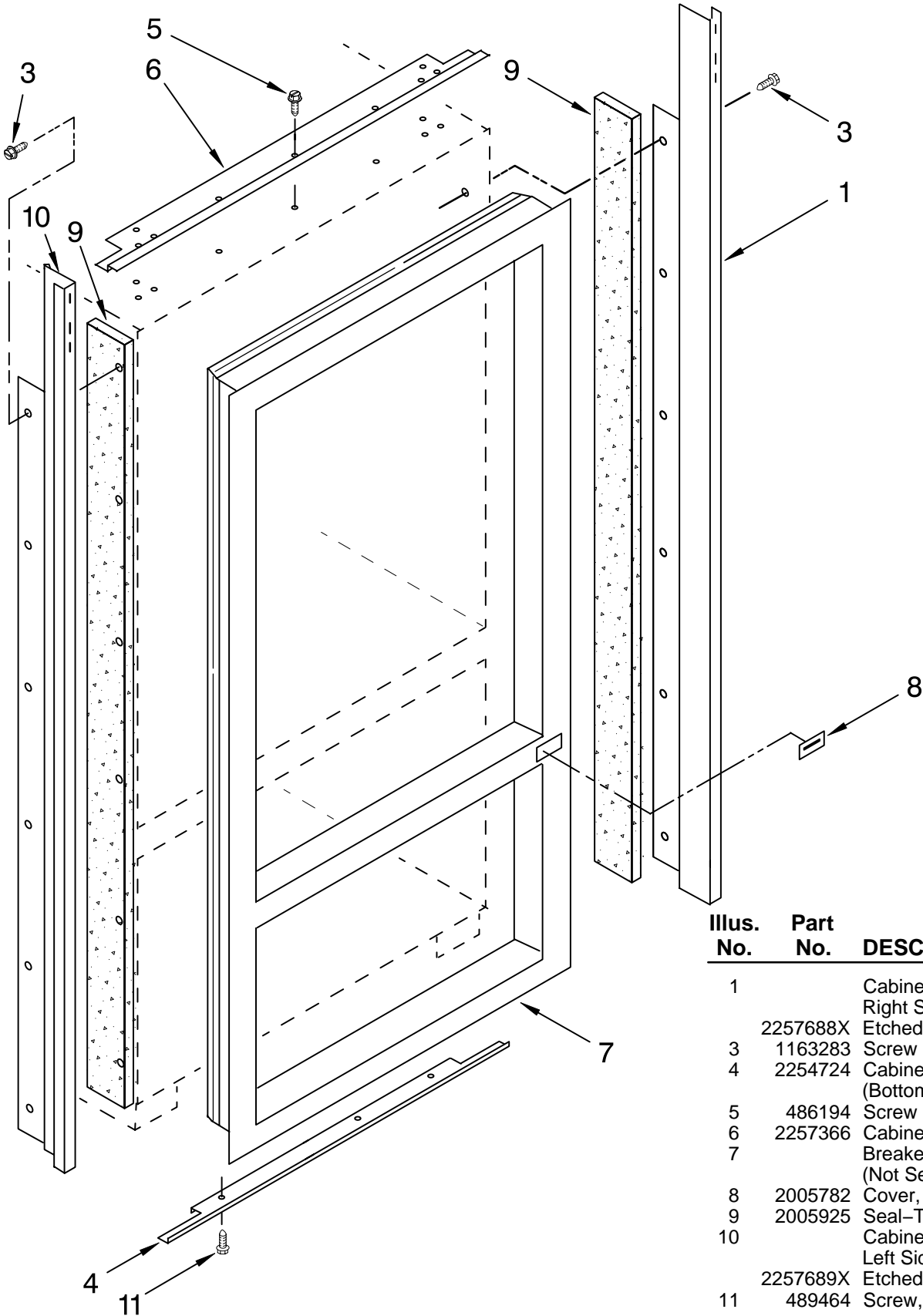
For Model: KBLO36FMX01
(Etched Aluminum)

| Illus. No. | Part No. | DESCRIPTION | Illus. No. | Part No. | DESCRIPTION | Illus. No. | Part No. | DESCRIPTION | | | |
|---------------|-------------|-----------------------------------|---------------|-------------------------------------|----------------------------|---------------|---------------------------|---------------------------------|----------------------|---------------------------|---------|
| 1 | | Literature Parts | 9 | 2006442 | Mounting Bracket, Grill | 26 | 2255709 | Filter, Water | | | |
| | 2309067 | Use & Care Guide | | 10 | 2005921 | | Screw | 27 | 2266880 | Bushing-Arm, Extension | |
| | 2307361 | Energy Label | | 11 | 1112849 | | Cap, Grommet | 28 | 2307806 | Gap, Cover (Bottom) | |
| | 2306322 | Service & Wiring Sheet | | 12 | 2004514 | | Clamp | | | 29 | 2005101 |
| | 2302865 | Main Control Service Sheet | | 13 | 2204516 | | Tube, Drain Condensate | 30 | 489464 | | |
| | 628370 | Modular Icemaker Service Sheet | | 14 | 2207470 | | Shim-Hinge, Door | | | 31 | 489282 |
| | 2266812 | Installation Instructions | | 15 | 2209090 | | Clamp, Filter Housing | 32 | 2209024B | | |
| | 2 | | | Cabinet (Not A Serviceable Part) | 16 | | 2208136 | | | Clamp, Tube | 33 |
| | | | | | 17 | | 2001295 | Screw, Door Stop | 34 | 2215889B | |
| | 3 | 2005004 | | Grommet, Crossover Tube | 18 | | 2257644 | Hinge, Door Refrigerator Top | | | 36 |
| 19 | | | 2005783 | | Cam-Closer, Door | 37 | 1113122 | Grommet, Wiring | | | |
| 4 | 1112023 | Roller, Front & Rear (4) | 20 | 1157158 | Screw | | | 38 | 2266881 | Arm, Extension | |
| | | | 21 | 2006617 | Bracket, Support Door | 39 | 2221096 | | | Bracket, Switch | |
| 5 | | Support, Leveler Assembly | 22 | 2002903 | Bushing | | | 40 | 2215938 | Cover, Switch | |
| | | | 23 | 2209022 | Housing, Water Filter | 42 | 2186494B | | | Cap, Water Filter | |
| 6 | 2004506 | Refrigerator Side | 24 | 2004517 | Spring, Door Closure | | | 43 | 8533913 | Screw (4) | |
| | | | | | | 7 | 2004505 | | | Freezer Side | 25 |
| 8 | 2005006 | Grommet, Wiring | 45 | 1118894 | 45 | | | 1118894 | Switch, Rocker Arm | | |
| | | | | | | 7 | 2005007 | | Grommet, Flexible | 46 | 9791833 |
| 8 | 489399 | Screw | 49 | 2221070 | 49 | | | 2221070 | | | |

FOR ORDERING INFORMATION REFER TO PARTS PRICE LIST

CABINET AND BREAKER TRIM PARTS

For Model: KBLO36FMX01
(Etched Aluminum)

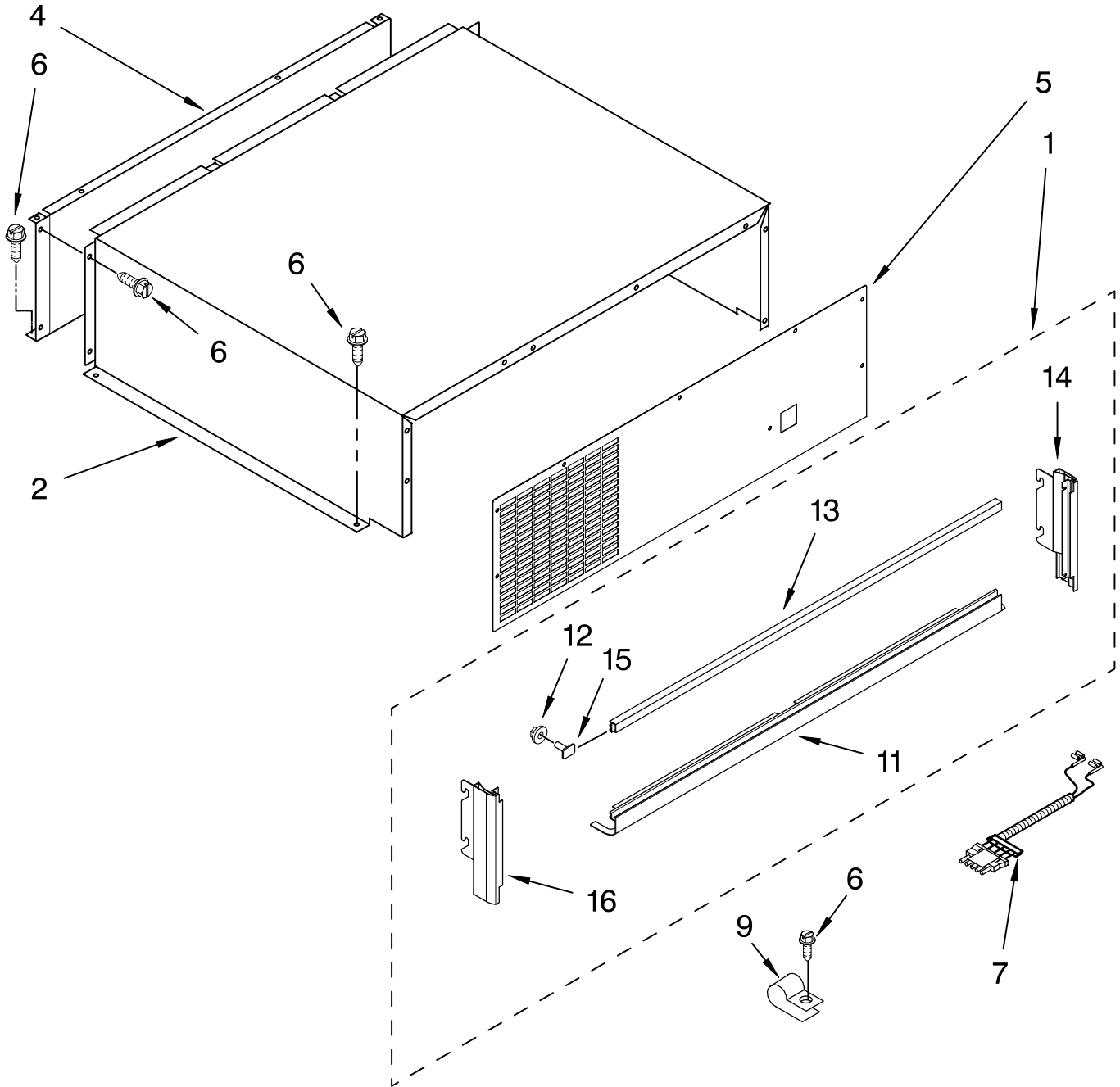


| Illus. No. | Part No. | DESCRIPTION |
|------------|----------|-----------------------------|
| 1 | | Cabinet Trim, Right Side |
| | 2257688X | Etched Aluminum |
| 3 | 1163283 | Screw |
| 4 | 2254724 | Cabinet, Trim (Bottom) |
| 5 | 486194 | Screw |
| 6 | 2257366 | Cabinet Trim, Top |
| 7 | | Breaker Trim (Not Serviced) |
| 8 | 2005782 | Cover, Hinge |
| 9 | 2005925 | Seal-Trim, Side |
| 10 | | Cabinet Trim, Left Side |
| | 2257689X | Etched Aluminum |
| 11 | 489464 | Screw, 8-18 x 1/2 |

FOR ORDERING INFORMATION REFER TO PARTS PRICE LIST

TOP GRILLE AND UNIT COVER PARTS

For Model: KBLO36FMX01
(Etched Aluminum)



| Illus. No. | Part No. | DESCRIPTION |
|------------|----------|---------------------|
| 1 | | Top Grille Assembly |
| | 2259425X | Etched Aluminum |
| 2 | 2259320 | Cover, Unit |
| 4 | 2256466 | Back Panel |

| Illus. No. | Part No. | DESCRIPTION |
|------------|----------|---------------------|
| 5 | 2302974 | Front, Unit Cover |
| 6 | 487415 | Screw |
| 7 | 2187423 | Wire Assembly |
| 9 | 489348 | Clamp |
| 11 | 2259438X | Grille-Trim, Bottom |

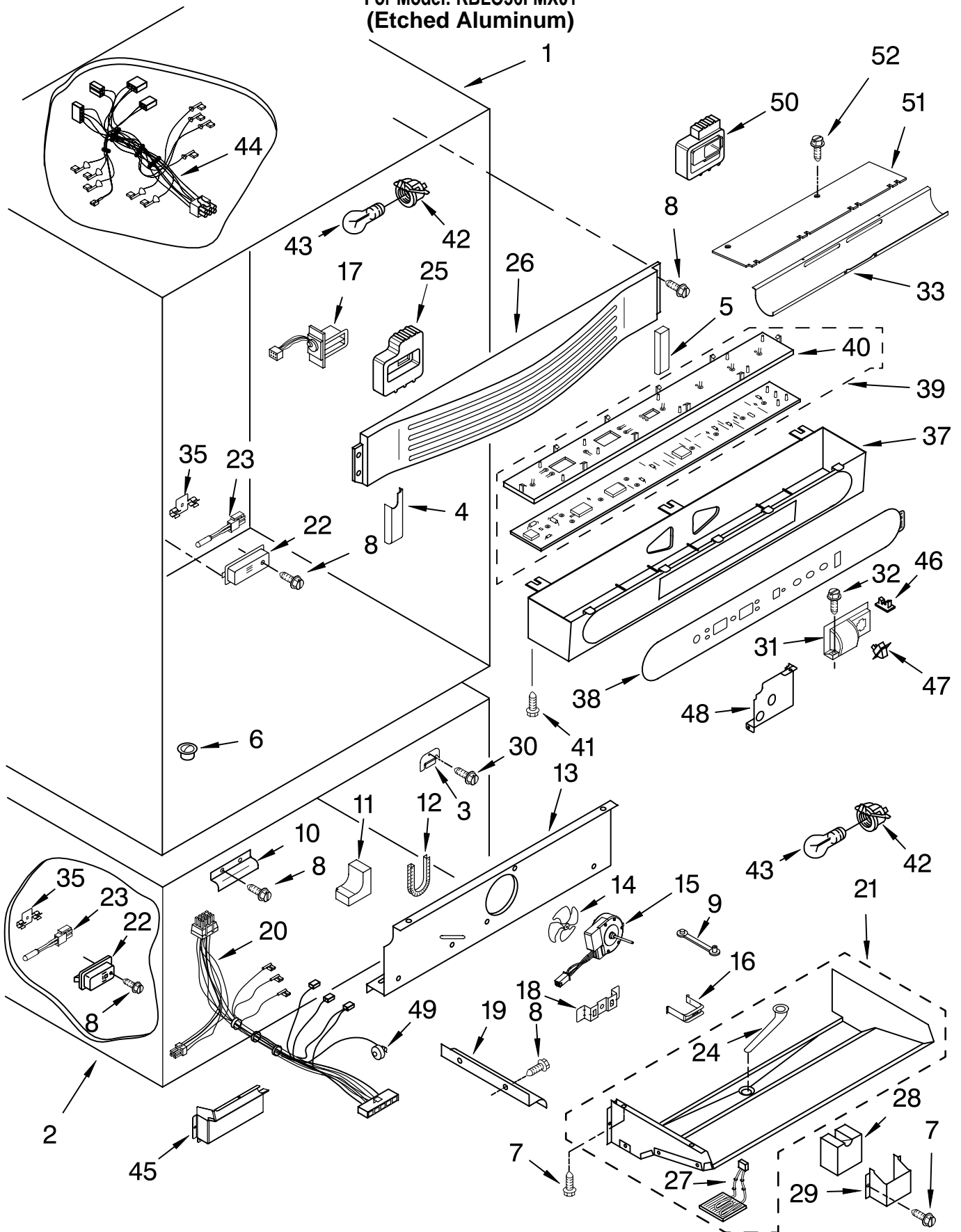
| Illus. No. | Part No. | DESCRIPTION |
|------------|----------|-------------------------|
| 12 | 1161548 | Nut |
| 13 | 2259440X | Grille-Trim, Top |
| 14 | 2259420X | Grille-Trim, Right Side |
| 15 | 2003347 | Screw 8-32 x 7/16 |
| 16 | 2259421X | Grille-Trim, Left Side |

FOR ORDERING INFORMATION REFER TO PARTS PRICE LIST

LINER PARTS

For Model: KBLO36FMX01

(Etched Aluminum)



FOR ORDERING INFORMATION REFER TO PARTS PRICE LIST

LINER PARTS

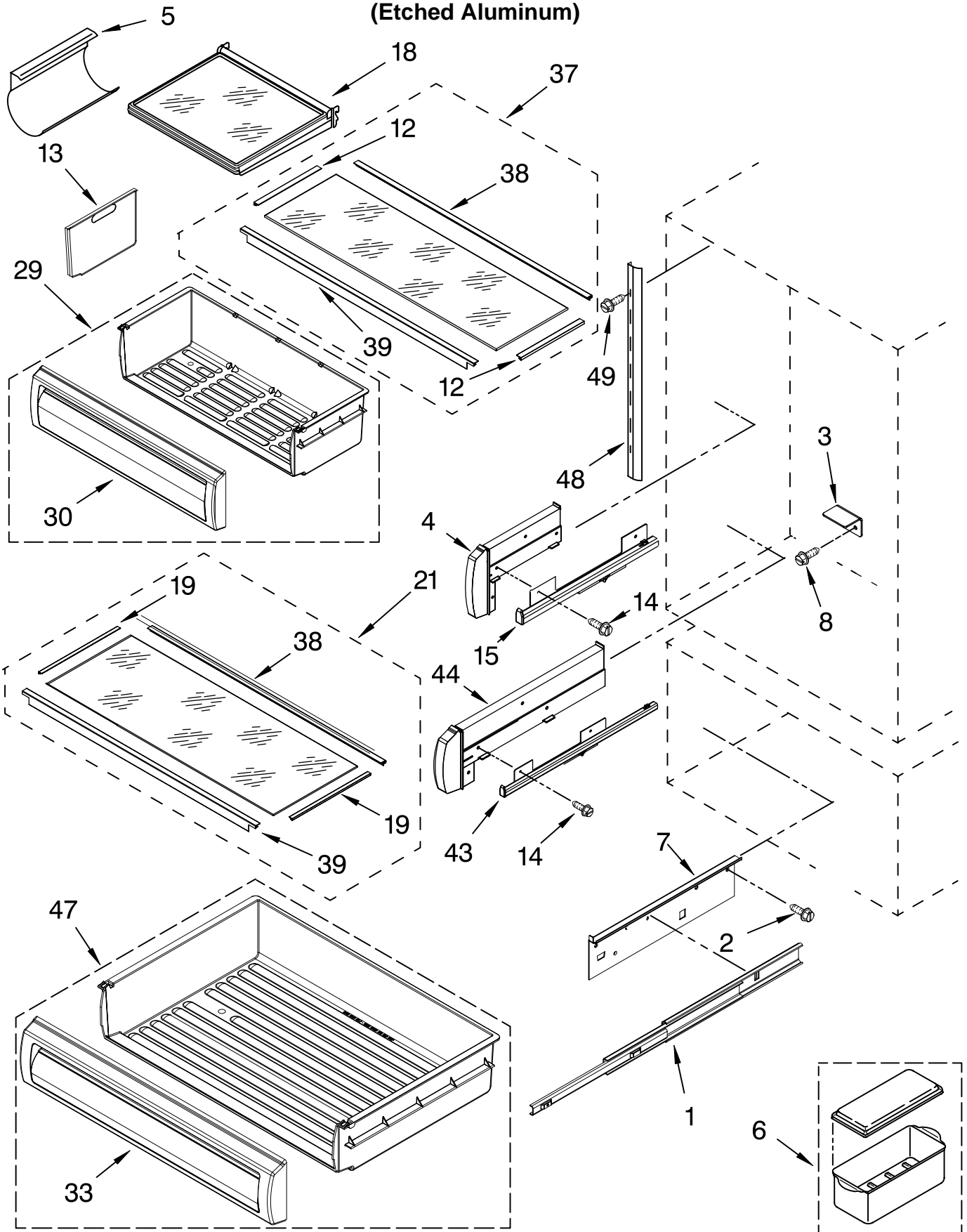
For Model: KBLO36FMX01
(Etched Aluminum)

| Illus. No. | Part No. | DESCRIPTION | Illus. No. | Part No. | DESCRIPTION | Illus. No. | Part No. | DESCRIPTION |
|------------|----------|--------------------------------------|------------|----------|--|------------|----------|--------------------------------------|
| 1 | | Liner, Refrigerator (Not Servicable) | 16 | 2223733 | Retainer, Fan Motor | 32 | 1157158 | Screw, 8-18 x 3/8 |
| 2 | | Liner, Freezer (Not Servicable) | 17 | 2221296 | Air Baffle Assembly | 33 | 2302715 | Shield, Light |
| 3 | 2215610 | Cover, Heat Exchanger | 18 | 2215503 | Bracket | 35 | 2209204 | Clip, Thermistor |
| 4 | 2215827 | Diffuser Cap, Left Side | 19 | 8201595 | Wiring Channel | 37 | 2302774 | Control Panel |
| 5 | 2005931 | Diffuser Cap, Right Side | 20 | 2187621 | Wiring Harness, Freezer (Includes Item 55) | 38 | 2257521 | Overlay, Control Panel |
| 6 | 2171846 | Release Valve | 21 | 2306391 | Cover, Evaporator Assembly | 39 | 2302913 | Circuit Board (User Interface) |
| 7 | 487539 | Screw, 8-15 x 1/2 | 22 | 1116793 | Cover, Thermistor | 40 | 2303938 | Insert, Control Box (User Interface) |
| 8 | 486194 | Screw | 23 | 2188820 | Thermistor | 41 | 489464 | Screw |
| 9 | 2223986 | Motor, Grommet | 24 | 2209208 | Drain Tube, Condensate | 42 | 2162085 | Socket, Light |
| 10 | 2006148 | Wiring Channel, Freezer Rear | 25 | 2215530 | Insulation, Baffle | 43 | 2257556 | Light Bulb |
| 11 | 2215844 | Foam, Fan Shroud | 26 | 2215531 | Cover, Air Diffuser | 44 | 2187424 | Harness, Control Box |
| 12 | 2215910 | Grommet, Flexible | 27 | 2306386 | Heater-Tube, Drain | 45 | 8201534 | Cover, Wiring Freezer Light |
| 13 | 2215606 | Shroud, Evaporator Fan | 28 | 2204538 | Insulation, Tube Drain | 46 | 1115375 | Clip, Wiring |
| 14 | 2169142 | Blade, Fan | 29 | 2204537 | Cover, Tube Drain | 47 | 1115373 | Switch, Rocker |
| 15 | 2259385 | Motor, Fan | 30 | 486194 | Screw | 48 | 2005792 | Wiring Cover, Icemaker |
| | | | 31 | 2215835 | Housing, Switch | 49 | 2187378 | Defrost Bi-Metal |
| | | | | | | 50 | 2215829 | Diffuser Assembly |
| | | | | | | 51 | 2221121 | Support, Control Box |
| | | | | | | 52 | 489006 | Screw |

FOR ORDERING INFORMATION REFER TO PARTS PRICE LIST

REFRIGERATOR SHELF PARTS

For Model: KBLO36FMX01
(Etched Aluminum)



FOR ORDERING INFORMATION REFER TO PARTS PRICE LIST

REFRIGERATOR SHELF PARTS

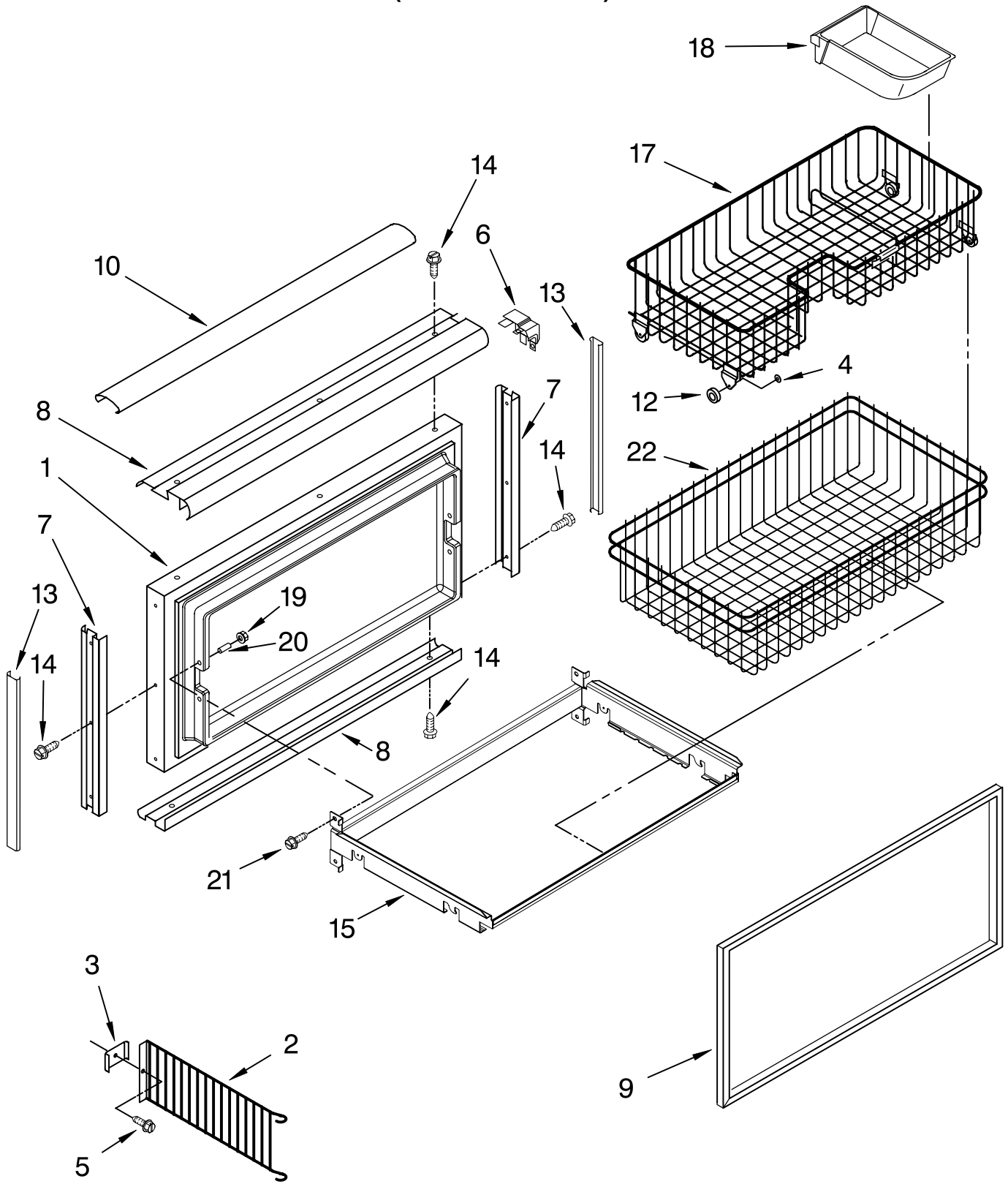
For Model: KBLO36FMX01
(Etched Aluminum)

| Illus. No. | Part No. | DESCRIPTION |
|------------|----------|-------------------------------------|
| 1 | | Slide, Freezer Basket |
| | 2257355 | Right Side |
| | 2257356 | Left Side |
| 2 | 2006475 | Screw, 8-15 x 1.00 |
| 3 | 2302788 | Support, Crisper Cover |
| 4 | | Spacer, Crisper |
| | 2256443 | Right Side |
| | 2256442 | Left Side |
| 5 | 2179404 | Rack, Wine |
| 6 | 2221071 | Egg Bin |
| 7 | | Bracket, Freezer Basket |
| | 2257327 | Right Side |
| | 2257326 | Left Side |
| 8 | 8533928 | Screw |
| 12 | 2257562 | Trim-Glass, Side |
| 13 | 2256474 | Divider, Crisper Pan |
| 14 | 8533929 | Screw |
| 15 | | Slide, Crisper |
| | 2256440 | Left Side |
| | 2256441 | Right Side |
| 18 | 2258973 | Shelf (4) |
| 19 | 2257563 | Trim-Glass, Side |
| 21 | 2302839 | Deli Shelf Assy. |
| 29 | 2256375 | Crisper Pan Assembly (Includes #30) |
| 30 | 2256374 | Front, Crisper Pan |
| 33 | 2257548 | Front, Deli Pan |
| 37 | 2302837 | Crisper Shelf Assembly |
| 38 | 2257564 | Trim-Glass, Rear |
| 39 | | Trim-Glass, Front (Not Serviceable) |
| 43 | | Slide, Deli |
| | 2257544 | Left Side |
| | 2257545 | Right Side |
| 44 | | Spacer, Deli |
| | 2257531 | Left Side |
| | 2257532 | Right Side |
| 47 | 2257535 | Deli Pan Assembly (Includes #33) |
| 48 | 2005410 | Ladder, Shelf (4) |
| 49 | 2006475 | Screw, |

FOR ORDERING INFORMATION REFER TO PARTS PRICE LIST

FREEZER DOOR AND BASKET PARTS

For Model: KBLO36FMX01
(Etched Aluminum)



FOR ORDERING INFORMATION REFER TO PARTS PRICE LIST

FREEZER DOOR AND BASKET PARTS

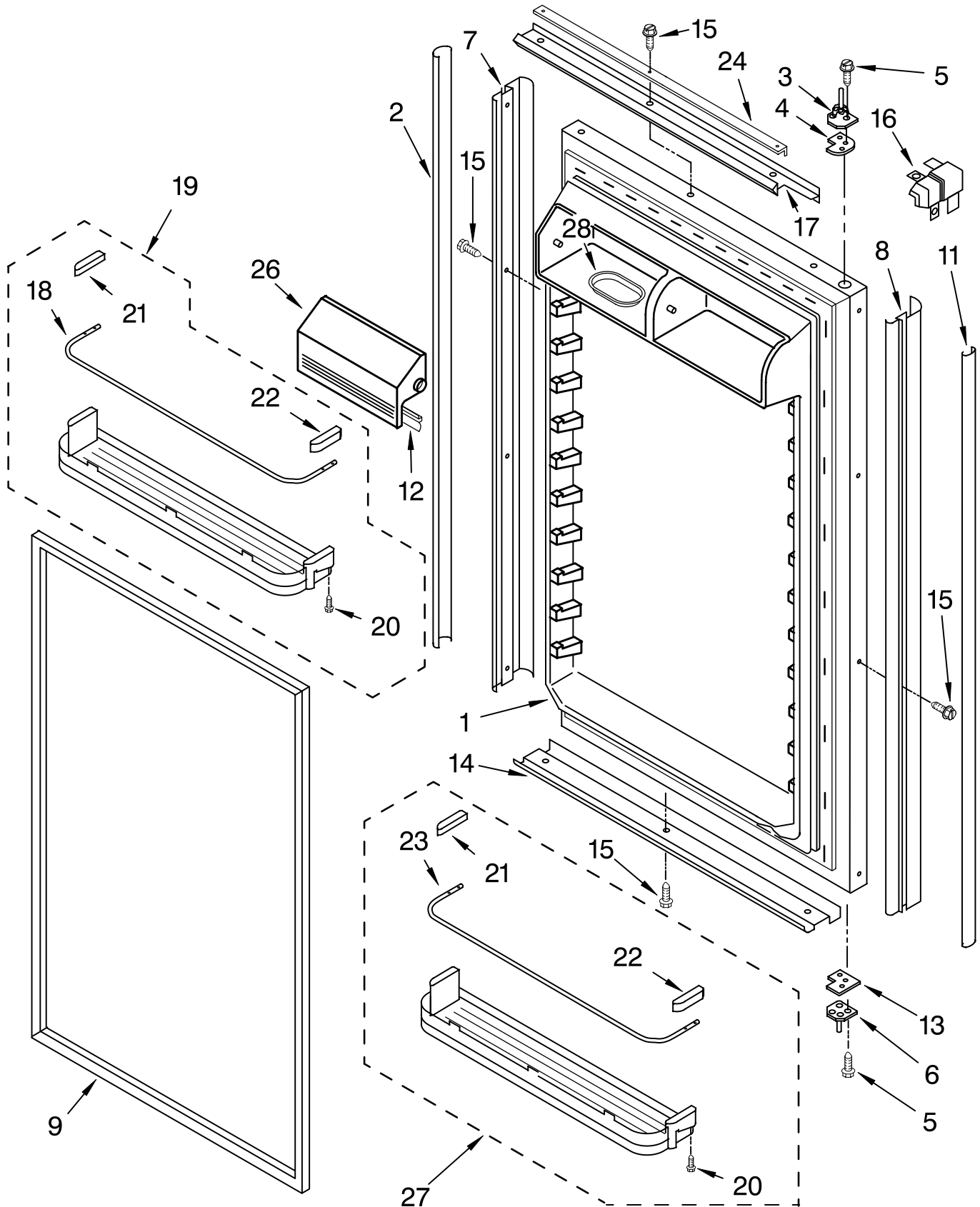
For Model: KBLO36FMX01
(Etched Aluminum)

| Illus. No. | Part No. | DESCRIPTION |
|-----------------------|---------------------|--|
| 1 | 2300085 | Freezer Door Panel (Includes Item 9) |
| 2 | 2204525 | Divider, Basket |
| 3 | 2207429 | Clamp, Divider |
| 4 | 2207415 | Nut, Crimp |
| 5 | 3190699 | Screw |
| 6 | 2258903 | Trim-Door, Corner |
| 7 | 2258901X | Trim-Door, Side |
| 8 | 2258902X | Trim-Door, Top & Bottom |
| 9 | 2300185 | Door Gasket, Magnetic |
| 10 | 2259363X | Cover-Screw, Top & Bottom |
| 12 | 2204542 | Roller |
| 13 | 2259364X | Cover-Screw, Side |
| 14 | | Screw, 8-15 x 1/2 |
| | 8281250 | Stainless Steel |
| 15 | 2257426 | Bracket Assembly, Freezer Basket |
| 17 | 2257442 | Basket, Upper |
| 18 | 2174124 | Pan, Ice Cube |
| 19 | 2207454 | Nut, Hex |
| 20 | 2207471 | Bushing |
| 21 | 3400507 | Screw |
| 22 | 2257331 | Basket, Freezer Lower |

FOR ORDERING INFORMATION REFER TO PARTS PRICE LIST

REFRIGERATOR DOOR PARTS

For Model: KBLO36FMX01
(Etched Aluminum)



FOR ORDERING INFORMATION REFER TO PARTS PRICE LIST

REFRIGERATOR DOOR PARTS

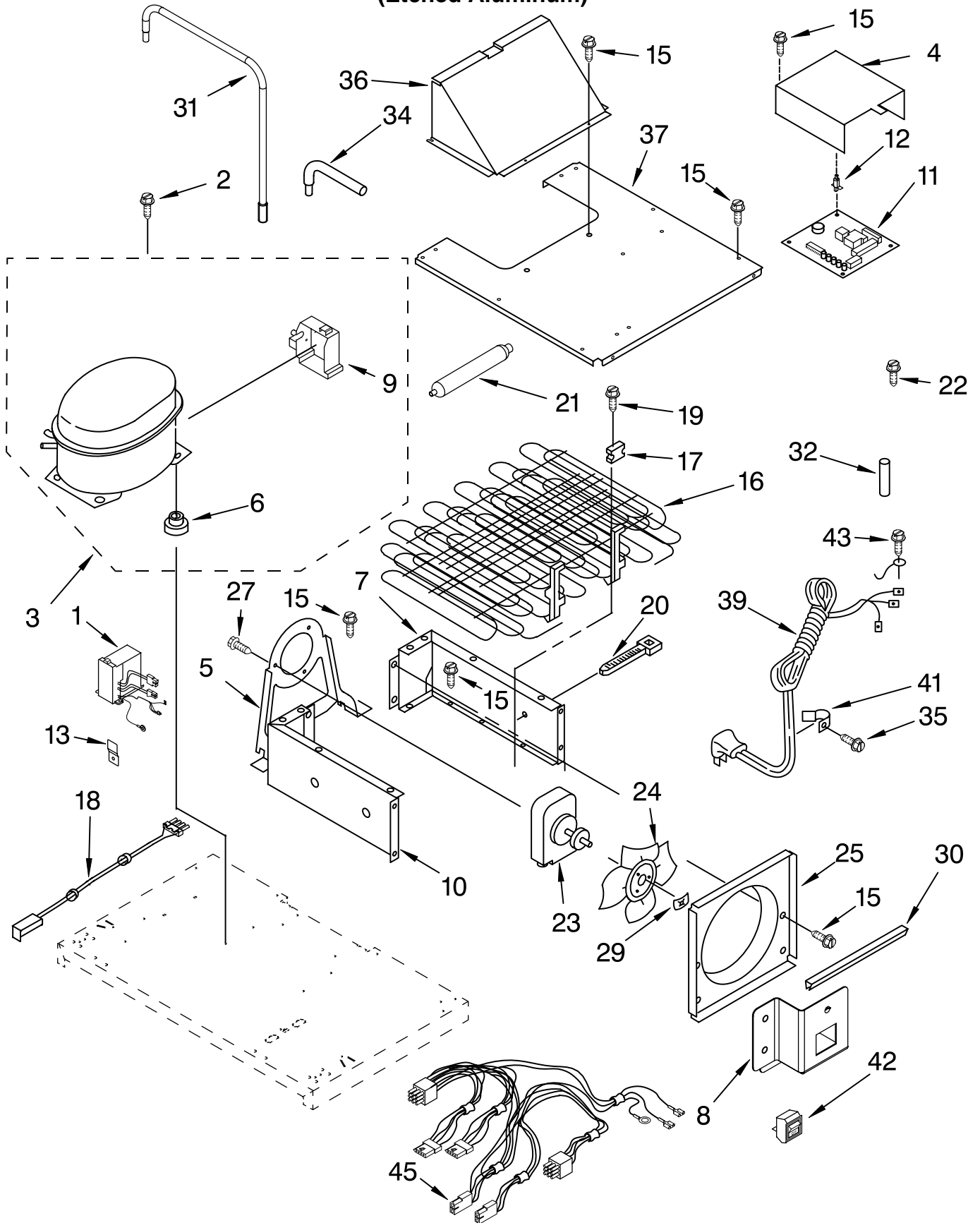
For Model: KBLO36FMX01
(Etched Aluminum)

| Illus. No. | Part No. | DESCRIPTION |
|------------|----------|---|
| 1 | 2300083 | Refrigerator Door (Includes Item 9) |
| 2 | 2259362X | Cover-Screw, Handle Side |
| 3 | 2266912 | Hinge Assembly, Top |
| 4 | 2256381 | Spacer-Hinge, Top |
| 5 | 489282 | Screw, 10-32 x 3/4 |
| 6 | 2302928 | Hinge Assembly, Bottom |
| 7 | 2258908X | Trim-Door, Handle Side |
| 8 | 2257692X | Trim-Door, Hinge Side |
| 9 | 2300184 | Door Gasket, Magnetic |
| 11 | 2259361X | Cover-Screw, Hinge Side |
| 12 | 2005982 | Gasket (2) |
| 13 | 2257647 | Spacer-Hinge, Bottom |
| 14 | 2258900X | Trim-Door, Bottom |
| 15 | | Screw, 8-15 x 1/2 |
| | 8281250 | Stainless Steel |
| 16 | 2258903 | Trim-Door, Corner |
| 17 | 2257699X | Trim-Door, Top |
| 18 | 2005482 | Tube, Door Shelf |
| 19 | 2005417 | Shelf, Door (2) |
| 20 | 489276 | Screw, 8-18 x 3/4 |
| 21 | 2005542 | End Cap, Left |
| 22 | 2005541 | End Cap, Right |
| 23 | 2006152 | Tube, Door Shelf (Gallon) |
| 24 | 2259360X | Cover-Screw, Top |
| 26 | 2005983 | Door, Utility Bin (2) (Includes Item 12) |
| 27 | 2006154 | Door Shelf, Gallon |
| 28 | 2165792 | Butter Tray |

FOR ORDERING INFORMATION REFER TO PARTS PRICE LIST

UPPER UNIT PARTS

For Model: KBLO36FMX01
(Etched Aluminum)



FOR ORDERING INFORMATION REFER TO PARTS PRICE LIST

UPPER UNIT PARTS

For Model: KBLO36FMX01
(Etched Aluminum)

| Illus. No. | Part No. | DESCRIPTION |
|------------|----------|--|
| 1 | 2306957 | Inverter Box |
| 2 | 489373 | Screw, Compressor Mounting (4) |
| 3 | 2302967 | Compressor (Includes Items 6, 9 & 21) (Also Order 876765 Tube Kit) |
| 4 | 2257354 | Housing, Control Board |
| 5 | 2215641 | Bracket, Fan Motor |
| 6 | 1100826 | Grommet, Mounting |
| 7 | 2266803 | Shroud, Condenser (Right) |
| 8 | 2302969 | Bracket, Switch |
| 9 | 2215676 | Terminal Cover |
| 10 | 2302973 | Shroud, Condenser (Left) |
| 11 | 2303934 | Control Board |
| 12 | 2203075 | Spacer (5) |
| 13 | 2256328 | Bracket, Inverter Box |
| 15 | 1157158 | Screw |
| 16 | 2259307 | Condenser |
| 17 | 943447 | Grommet (4) |

| Illus. No. | Part No. | DESCRIPTION |
|------------|----------|------------------------------------|
| 18 | 2187629 | Wire, Jumper |
| 19 | 488208 | Screw |
| 20 | 2155774 | Wire Tie |
| 21 | 2252363 | Drier |
| 22 | 487522 | Screw |
| 23 | 2206036 | Motor, Fan |
| 24 | 2190685 | Blade, Fan |
| 25 | 2003169 | Orifice, Fan |
| 27 | 8281160 | Screw |
| 29 | 486692 | Speed Nut |
| 30 | 2307907 | Grommet, Edge |
| 31 | 2259302 | Tube, Transition (Condenser/Drier) |
| 32 | 2000645 | Sleeve, Condenser |
| 34 | 2194319 | Process, Tube |
| 35 | 486194 | Screw |
| 36 | 2209495 | Cover, Fan |
| 37 | 2259092 | Cover, Condenser |
| 39 | 2259197 | Service Cord |
| 41 | 549193 | Clamp, Cord |
| 42 | 2266802 | Switch, Power Disconnect |
| 43 | 487294 | Screw, Ground |
| 45 | 2187624 | Wiring Harness, Unit Compartment |

| Illus. No. | Part No. | DESCRIPTION |
|---|----------|-------------|
| Following Parts Not Illustrated and Optional Parts Not Included | | |

| | |
|--------|-----------------------|
| 978025 | Valve, Access (1/4") |
| 978026 | Valve, Access (5/16") |
| 978027 | Valve, Access (3/8") |
| 978028 | Valve, Access (1/2") |
| 978029 | Valve, Access (5/8") |
| 978030 | Valve, Access (3/4") |
| 876764 | Valve, Access (3/16") |

REFRIGERANT CHARGE

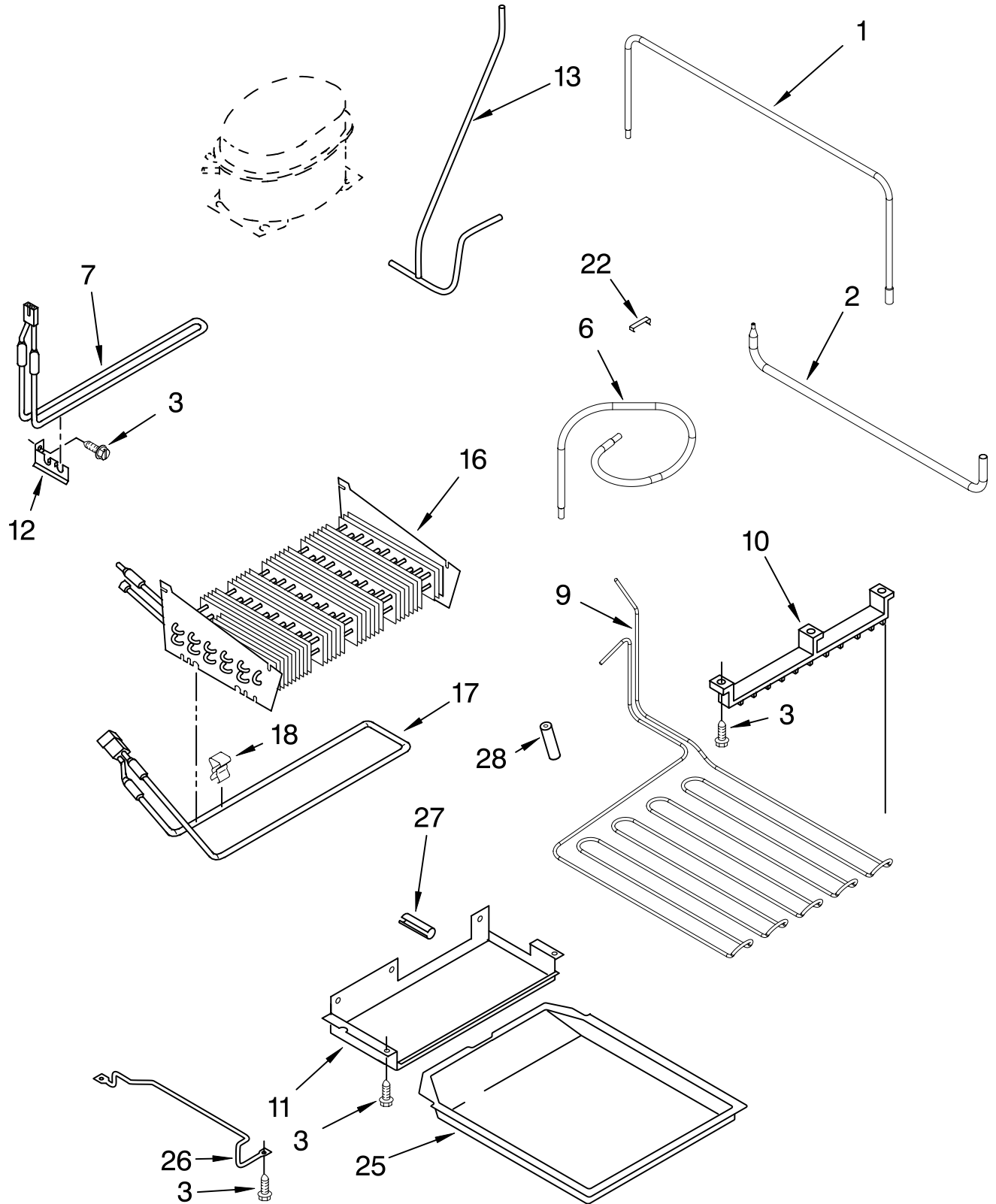
5.75 oz.
(R-134A)



FOR ORDERING INFORMATION REFER TO PARTS PRICE LIST

LOWER UNIT AND TUBE PARTS

For Model: KBLO36FMX01
(Etched Aluminum)



FOR ORDERING INFORMATION REFER TO PARTS PRICE LIST

LOWER UNIT AND TUBE PARTS

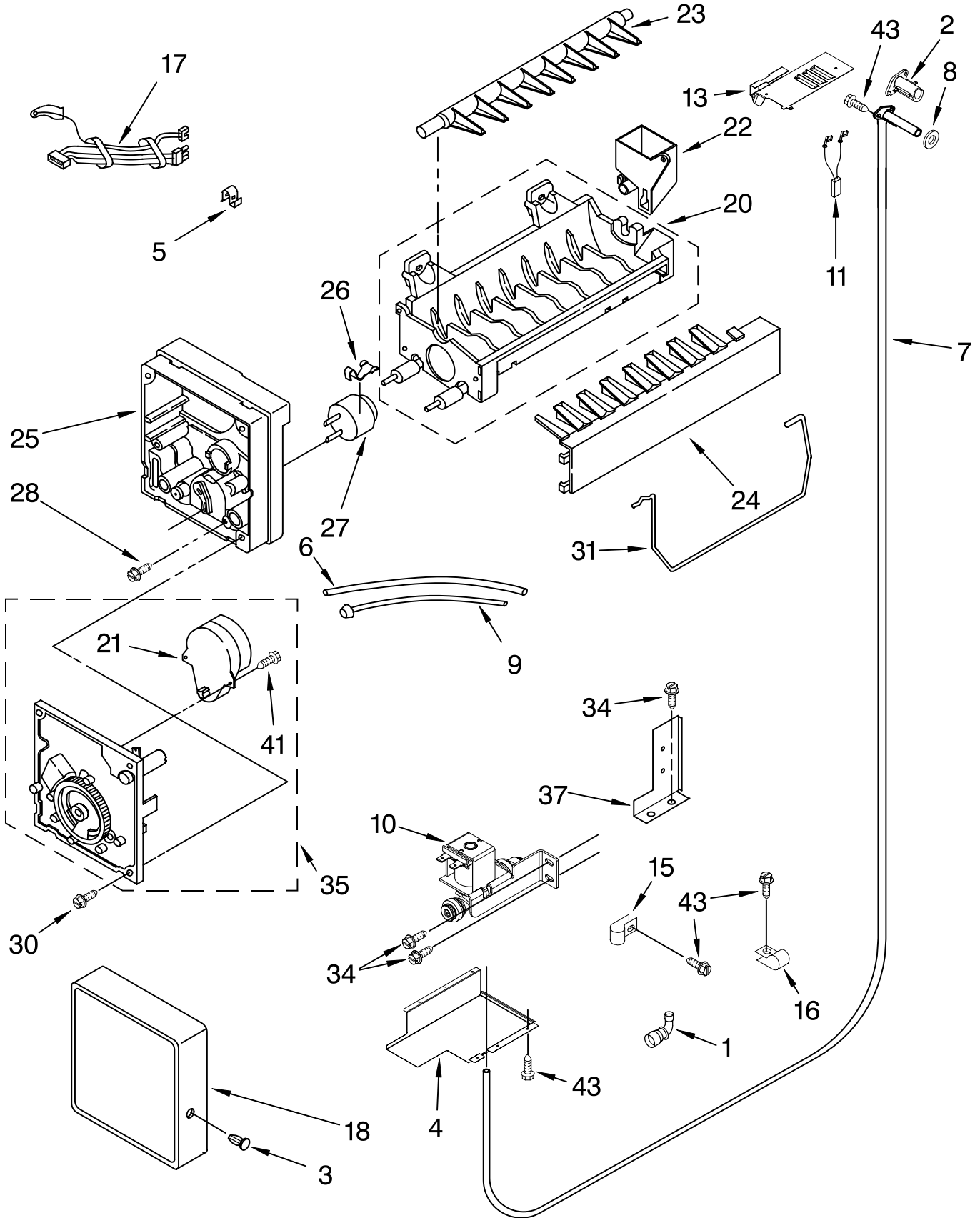
For Model: KBLO36FMX01
(Etched Aluminum)

| Illus. No. | Part No. | DESCRIPTION |
|-----------------------|---------------------|--|
| 1 | 2259472 | Tube, Transition (Condenser) |
| 2 | 2259304 | Tube, Transition (Drier/Restrictor) |
| 3 | 486194 | Screw |
| 6 | 2259303 | Suction Tube |
| 7 | 2207486 | Heater, Defrost (Rear) |
| 9 | 2259329 | Heater, Drain Pan |
| 10 | 2209450 | Hanger, Heater |
| 11 | 2005908 | Shield, Drain Pan |
| 12 | 2204543 | Support, Heater |
| 13 | 2259474 | Tube, Discharge |
| 16 | 2306095 | Evaporator |
| 17 | 2207485 | Heater, Defrost (Front) |
| 18 | 2204510 | Clamp, Heater (2) |
| 22 | 2215691 | Clip, Heat Exchanger |
| 25 | 2001264 | Drain Pan |
| 26 | | Bracket, Drain Pan |
| | 1113206 | Left |
| | 1113207 | Right |
| 27 | 513942 | Dampener |
| 28 | 2215648 | Damper, Heater |

FOR ORDERING INFORMATION REFER TO PARTS PRICE LIST

ICEMAKER PARTS

For Model: KBLO36FMX01
(Etched Aluminum)



FOR ORDERING INFORMATION REFER TO PARTS PRICE LIST

ICEMAKER PARTS

For Model: KBLO36FMX01
(Etched Aluminum)

| Illus. No. | Part No. | DESCRIPTION |
|------------|----------|--|
| 1 | 2204597 | Tube, Valve |
| 2 | 2221240 | Heater, Fill Tube |
| 3 | 489115 | Fastener, Snap-In |
| 4 | 2300104 | Cover, Bottom Electrical |
| 5 | 628379 | Clip, Fuse |
| 6 | 2214613 | Tube, Filter Inlet |
| 7 | 2221140 | Water Inlet Tube Assembly |
| 8 | 1106508 | Seal Gasket |
| 9 | 2302719 | Tube, Filter Outlet |
| 10 | 2188787 | Valve, Solenoid |
| 11 | 2187683 | Jumper, Heater Fill Tube |
| 13 | 2221231 | Heat Shield |
| 15 | 489348 | Clamp, Nylon Valve |
| 16 | 488946 | Clamp Tube |
| 17 | 2187715 | Wire Harness, Icemaker |
| 18 | 2257538 | Cover |
| 20 | 628228 | Mold & Heater (Also Order 542638 Silicone Grease) |
| 21 | 627811 | Motor |
| 22 | 628356 | Cup-Water Fill |
| 23 | 627843 | Ejector |
| 24 | 2182124 | Ice Striper |
| 25 | 2195914 | Support |
| 26 | 627796 | Retainer Thermostat (2) |
| 27 | 627985 | Thermostat (Also Order 542639 Cement Alumilastic) |
| 28 | 8533917 | Screw |
| 30 | 489276 | Screw |
| 31 | 2221172 | Shut Off Arm |
| 34 | 489464 | Screw |
| 35 | 626653 | Module Assembly (Includes Items 21 & 41) |
| 37 | 2306151 | Water Valve Mounting Bracket |
| 41 | 489136 | Screw (2) |
| 43 | 486194 | Screw |
| 100 | 2266838 | Complete Icemaker Assembly |

FOR ORDERING INFORMATION REFER TO PARTS PRICE LIST